

Tongue & Groove & Glue Joint Bits

All tongue and groove bits are used to create a mechanical joint for the wood pieces to be glued. This adds tremendous strength and insures accurate alignment. In general, the bits can have a straight or wedged joint and are either one- or two-piece sets. The V-notch set adds a common decorative element to the joint.

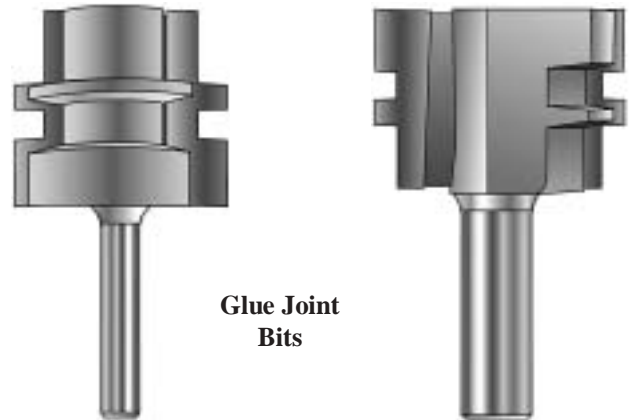
All the bits except the Tongue and Groove Assembly (with bearing) require a router table and fence. The more straight and square your table, the better the joints will be. Also, featherboards will greatly increase your ability to feed the work smoothly and evenly. Be sure that for all the bits your router fence is set so that you are taking a complete depth of cut on the bit.

Please note: In order to use the bearing on these bits to guide the depth of cut, an additional piece of stock must be fastened or clamped to the bottom of the Tongue & Groove stock.

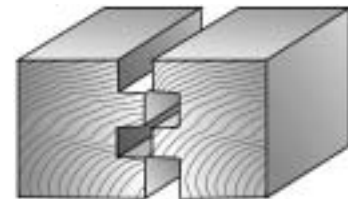
The one-piece tongue and groove bits (#5545, #5546, #7845, #7846), both straight and wedge, can be set once for both halves of the joint, as can the Glue Joint bits (#5553 and #7853). The height of the bit is adjusted so that the center of the joint on the cutter is centered on the thickness of the wood. Both pieces are run; then one is flipped over and fitted to the other. This only works if the all the wood pieces are of even thickness and if they were run evenly through the router table. Use of featherboards is encouraged! Sometimes it is easier to run all the pieces for one half of the joint; then reset the bit height to match and run all of the other half of the joint.

TIP: If you are unsure about the straightness of your wood or if you are making a particularly long joint, choose a wedged version of the bit. It will be easier to fit the joint together.

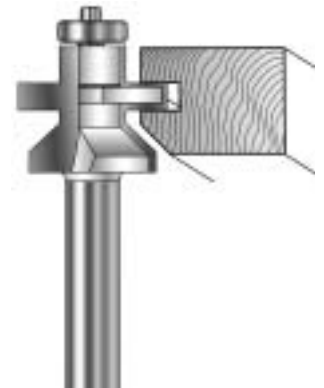
**T&G Bits # 5545, 5546, 7845, 7846,
7843, 5544, 7844, 7841, 7842
Glue Joint Bit #5553 & 7853
KATANA T&G Bits #15541, #17840
KATANA Glue Joint Bit #18846**



Glue Joint Bits



Tongue and Groove with V-Notch



Tongue and Groove Assembly



1-800-533-9298 ♦ mlcswoodworking.com

MLCS

Router Bits and Professional Woodworking Products